

Using material of high quality

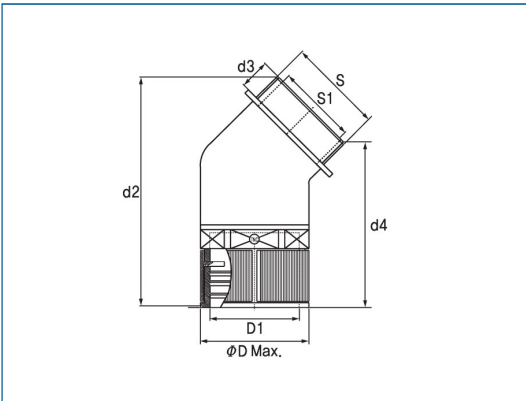
IP67 CPSFIX®

Connectors, 45° Curved Elbow with PF male thread (JIS B0204)



TAC

TAC Type



- Material: High Quality Polyamide6
- Protective: IP 67 (EN 60529)
- Temperature Range: -40°C to + 105°C
- Short Term: up to +150°C
- Self-Extinguishing: UL94-HB, UL94-Vo
Free of Halogen Phosphorous and cadmium
- Color: Black & Gray
- Application: Machine tool, Shipbuilding, Tramway
Industrial/ Automatic Machinery
Printing Machine etc.
Joint box with connector

- Certification:
- 재 질: 고품질 폴리아미드6
- 방 수 등 급: IP 67 (EN 60529)
- 적용온도범위: -40°C + 105°C
- 순간최대온도: +150°C
- 자기소화성: UL94-HB, UL94-Vo
Free of Halogen Phosphorous and cadmium
- 색 상: 검정색, 회색
- 적 용: 공작기계, 산업 기계, 자동 화기 계
조선소, 전동차 등 컨트롤박스에
결합하기 위한 장소에 사용됨.

- 국 제 인 증:

➤ PF Thread (JIS B0204)

품 번(Order No.)		나사규격 (Thread) PF	치수(Dimensions in mm)							적용전선관 (for tube size)
Black	Gray		D	D1	d2	d3	d4	S1	S	
TAC-G10B	TAC-G10G	G1/2"	21	14	60	13	50	15.2	20.9	10
TAC-G12B	TAC-G12G	G1/2"	25	17	66	13	52	15.2	20.9	12
TAC-G16B	TAC-G16G	G1/2"	30	22	70	13	55	15.2	20.9	16
TAC-G22B	TAC-G22G	G3/4"	41	30	80	15	65	19.4	26.4	22
TAC-G28B	TAC-G28G	G1"	47	36	90	15	72	26.2	33.2	28
TAC-G36B	TAC-G36G	G1 1/4"	56	44	102	17	76	34.5	41.9	36
TAC-G48B	TAC-G48G	G2"	68	56	123	17	86	49.8	59.6	48





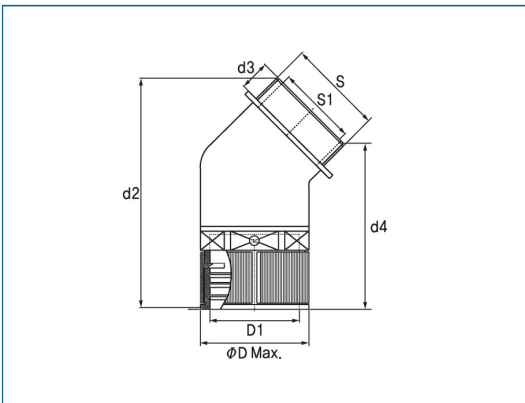
CPSFIX[®] IP67

Using material of high quality

Connectors, 45° Curved Elbow with Metric male thread (EN 60423)

TAC

TAC Type



- Material: High Quality Polyamide6
- Protective: IP 67 (EN 60529)
- Temperature Range: -40°C to +105°C
- Short Term: up to +150°C
- Self-Extinguishing: UL94-HB, UL94-Vo
Free of Halogen Phosphorous and cadmium
- Color: Black & Gray
- Application: Machine tool, Shipbuilding, Tramway
Industrial/ Automatic Machinery
Printing Machine etc.
Joint box with connector

- Certification:
- 재 질: 고품질 폴리아미드6
- 방 수 등 급: IP 67 (EN 60529)
- 적용온도범위: -40°C + 105°C
- 순간최대온도: +150°C
- 자기소화성: UL94-HB, UL94-Vo
Free of Halogen Phosphorous and cadmium

- 색 상: 검정색, 회색
- 적 용: 공작기계, 산업기계, 자동화기계
조선소, 전동차 등 컨트롤박스에
결합하기 위한 장소에 사용됨.

- 국 제 인 증:

➤ M Thread (EN 60423)

품 번(Order No.)		나사규격 (Thread) Metric	치수(Dimensions in mm)							적용전선관 (for tube size)
Black	Gray		D	D1	d2	d3	d4	S1	S	
TAC-M10B	TAC-M10G	M12×1.5	21	14	60	13	50	8.7	12.0	10
TAC-M12B	TAC-M12G	M16×1.5	25	17	66	13	52	12.6	16.0	12
TAC-M16B	TAC-M16G	M20×1.5	30	22	70	13	55	15.2	20.0	16
TAC-M22B	TAC-M22G	M25×1.5	41	30	80	15	65	19.4	25.0	22
TAC-M28B	TAC-M28G	M32×1.5	47	36	90	15	72	26.2	32.0	28
TAC-M36B	TAC-M36G	M40×1.5	56	44	102	17	76	34.5	40.0	36
TAC-M48B	TAC-M48G	M50×1.5	68	56	123	17	86	44.0	50.0	48



Using material of high quality

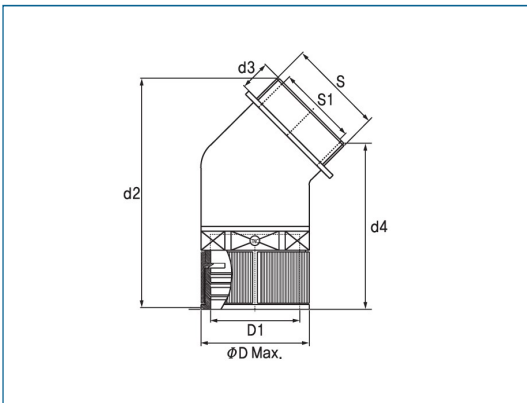
IP67 CPSFIX®

Connectors, 45° Curved Elbow with Pg male thread (DIN 40424)



TAC

TAC Type



- Material: High Quality Polyamide6
- Protective: IP 67 (EN 60529)
- Temperature Range: -40°C to + 105°C
- Short Term: up to +150°C
- Self-Extinguishing: UL94-HB, UL94-Vo
Free of Halogen Phosphorous and cadmium
- Color: Black & Gray
- Application: Machine tool, Shipbuilding, Tramway
Industrial/ Automatic Machinery
Printing Machine etc.
Joint box with connector

- Certification:
 - 재 질: 고품질 폴리아미드6
 - 방 수 등 급: IP 67 (EN 60529)
 - 적용온도범위: -40°C + 105°C
 - 순간최대온도: +150°C
 - 자기소화성: UL94-HB, UL94-Vo
Free of Halogen Phosphorous and cadmium

- 색 상: 검정색, 회색
- 적 용: 공작기계, 산업 기계, 자동화기계
조선소, 전동차 등 컨트롤박스에
결합하기 위한 장소에 사용됨.

- 국 제 인 증:

➤ Pg Thread (DIN40424)

품 번(Order No.)		나사규격 (Thread) Pg	치수(Dimensions in mm)							적용전선관 (for tube size)
Black	Gr ay		D	D1	d2	d3	d4	S1	S	
TAC-P09B	TAC-P09G	Pg09	21	14	60	13	50	10.6	15.2	10
TAC-P11B	TAC-P11G	Pg11	25	17	66	13	52	13.7	18.6	12
T A C - P136B	TAC-P136G	Pg13.5	30	22	70	13	55	15.0	20.4	16
TAC-P16B	TAC-P16G	Pg16	30	22	70	13	55	17.5	22.5	16
TAC-P16B	TAC-P21G	Pg21	41	30	80	15	65	21.7	28.3	22
TAC-P21B	TAC-P29G	Pg29	47	36	90	15	72	30.5	37.0	28
TAC-P29B	TAC-P36G	Pg36	56	44	102	17	76	40.1	47.0	36
TAC-P36B	TAC-P48G	Pg48	68	56	123	17	86	51.8	59.3	48