



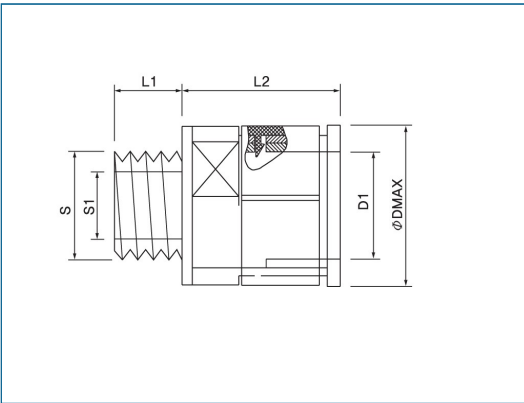
CPSFIX[®] IP67

Using material of high quality

Connectors, Straight with PF male thread (JIS B0204)

TNC

TNC Type



- **Material:** High Quality Polyamide6
- **Protective:** IP 67 (EN 60529)
- **Temperature Range:** -40°C to + 105°C
- **Short Term:** up to +150°C
- **Self-Extinguishing:** UL94-HB, UL94-Vo
Free of Halogen Phosphorous and cadmium
- **Color:** Black & Gray
- **Application:** Machine tool, Shipbuilding, Tramway
Industrial/ Automatic Machinery
Printing Machine etc.
Joint box with connector

➤ **Certification:**

- **재 질:** 고품질 폴리아미드6
- **방수 등급:** IP 67 (EN 60529)
- **적용 온도 범위:** -40°C + 105°C
- **순간 최대 온도:** +150°C
- **자기 소화성:** UL94-HB, UL94-Vo
Free of Halogen Phosphorous and cadmium
- **색 상:** 검정색, 회색
- **적 용:** 공작기계, 산업기계, 자동화기계
조선소, 전동차 등 컨트롤박스에
결합하기 위한 장소에 사용됨.
- **국제인증:**

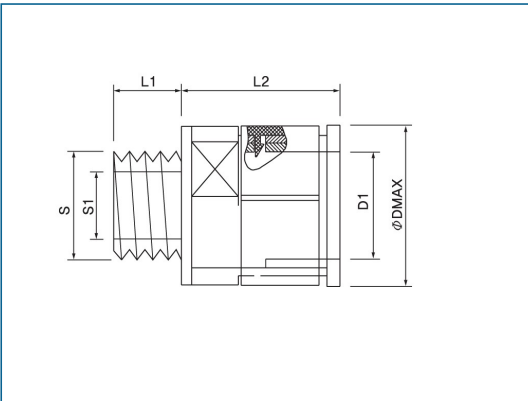
➤ **PF Thread (JIS B0204)**

품 번(Order No.)		나사규격 (Thread) PF	치수(Dimensions in mm)						적용전선관 (for tube size)
Black	Gray		L1	L2	D	D1	S1	S	
TNC-G10B	TNC-G10G	G1/2"	13	26	21	14	15.2	20.9	10
TNC-G12B	TNC-G12G	G1/2"	13	26	25	17	15.2	20.9	12
TNC-G16B	TNC-G16G	G1/2"	13	28	30	22	15.2	20.9	16
TNC-G22B	TNC-G22G	G3/4"	15	32	41	30	19.4	26.4	22
TNC-G28B	TNC-G28G	G1"	15	38	47	36	26.2	33.2	28
TNC-G36B	TNC-G36G	G1 1/4"	19	45	56	44	34.5	41.9	36
TNC-G42B	TNC-G42G	G1 1/2"	19	51	68	56	40.8	47.8	48
TNC-G48B	TNC-G48G	G2"	19	51	68	56	49.8	59.6	48



TNC

TNC Type



- Material: High Quality Polyamide6
- Protective: IP 67 (EN 60529)
- Temperature Range: -40°C to + 105°C
- Short Term: up to +150°C
- Self-Extinguishing: UL94-HB, UL94-Vo
Free of Halogen Phosphorous and cadmium
- Color: Black & Gray
- Application: Machine tool, Shipbuilding, Tramway
Industrial/ Automatic Machinery
Printing Machine etc.
Joint box with connector

- Certification:
- 재 질: 고품질 폴리아미드6
- 방 수 등 급: IP 67 (EN 60529)
- 적용온도범위: -40°C + 105°C
- 순간최대온도: +150°C
- 자기소화성: UL94-HB, UL94-Vo
Free of Halogen Phosphorous and cadmium
- 색 상: 검정색, 회색
- 적 용: 공작기계, 산업기계, 자동화기계
조선소, 전동차 등 컨트롤박스에
결합하기 위한 장소에 사용됨.

- 국 제 인 증:

➤ M Thread (EN60423)

품 번(Order No.)		나사규격 (Thread) Metric	치수(Dimensions in mm)						적용전선관 (for tube size)
Black	Gray		L1	L2	D	D1	S1	S	
TNC-M107B	TNC-M107G	M12 × 1.5	11	22	15.3	10.5	8.7	12.0	7
TNC-M127B	TNC-M127G	M16 × 1.5	11	22	15.3	10.5	12.6	16.0	7
TNC-M167B	TNC-M167G	M20 × 1.5	11	22	15.3	10.5	15.2	20.0	7
TNC-M10B	TNC-M10G	M12 × 1.5	13	26	21	14	8.7	12.0	10
TNC-M102B	TNC-M102G	M12 × 1.5	13	26	25	17	8.7	12.0	12
TNC-M12B	TNC-M12G	M16 × 1.5	13	26	25	17	12.6	16.0	12
TNC-M126B	TNC-M126G	M16 × 1.5	13	28	30	22	12.6	16.0	16
TNC-M16B	TNC-M16G	M20 × 1.5	13	28	30	22	15.2	20.0	16
TNC-M226B	TNC-M226G	M25 × 1.5	13	28	30	22	19.4	25.0	16
TNC-M22B	TNC-M22G	M25 × 1.5	15	32	41	30	19.4	25.0	22
TNC-M28B	TNC-M28G	M32 × 1.5	15	38	47	36	26.2	32.0	28
TNC-M36B	TNC-M36G	M40 × 1.5	19	45	56	44	34.5	40.0	36
TNC-M48B	TNC-M48G	M50 × 1.5	19	51	68	56	44.0	50.0	48





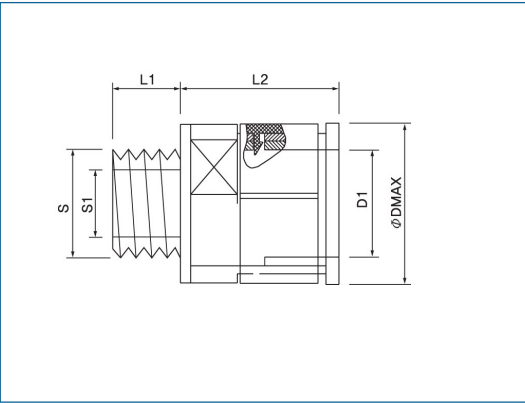
CPSFIX[®] IP67

Using material of high quality

Connectors, Straight with Pg male thread (DIN 40430)

TNC

TNC Type



- Material: High Quality Polyamide6
- Protective: IP 67 (EN 60529)
- Temperature Range: -40°C to + 105°C
- Short Term: up to +150°C
- Self-Extinguishing: UL94-HB, UL94-Vo
Free of Halogen Phosphorous and cadmium
- Color: Black & Gray
- Application: Machine tool, Shipbuilding, Tramway Industrial/ Automatic Machinery Printing Machine etc.
Joint box with connector

- Certification:
- 재 질: 고품질 폴리아미드6
- 방 수 등 급: IP 67 (EN 60529)
- 적용온도범위: -40°C + 105°C
- 순간최대온도: +150°C
- 자 기 소 화 성: UL94-HB, UL94-Vo
Free of Halogen Phosphorous and cadmium

- 색 상: 검정색, 회색
- 적 용: 공작기계, 산업 기계, 자동화기계 조선소, 전동차 등 컨트롤박스에 결합하기 위한 장소에 사용됨.

- 국 제 인 증:

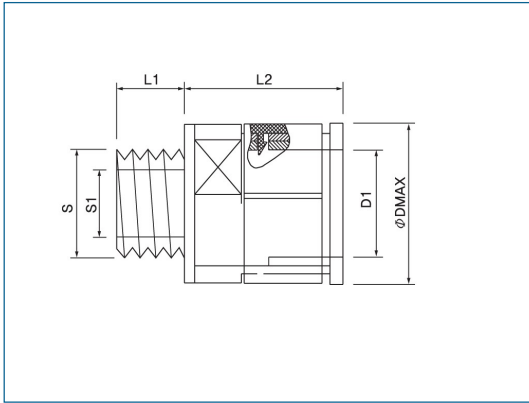
➤ Pg Thread (DIN40430)

품 번(Order No.)		나사규격 (Thread) Pg	치수(Dimensions in mm)						적용전선관 (for tube size)
Black	Gray		L1	L2	D	D1	S1	S	
TNC-P077B	TNC-P077G	Pg7	11	22	15.3	10.5	9.5	12.5	7
TNC-P097B	TNC-P097G	Pg9	13	22	15.3	10.5	10.6	15.2	7
TNC-P117B	TNC-P117G	Pg11	13	22	15.3	10.5	13.7	18.6	7
TNC-P137B	TNC-P137G	Pg13.5	13	22	15.3	10.5	15.0	20.4	7
TNC-P070B	TNC-P070G	Pg7	11	26	21	14	9.5	12.5	10
TNC-P09B	TNC-P09G	Pg9	13	26	21	14	10.6	15.2	10
TNC-P110B	TNC-P110G	Pg11	13	26	21	14	13.7	18.6	10
TNC-P130B	TNC-P130G	Pg13.5	13	26	21	14	15.0	20.4	10
TNC-P160B	TNC-P169G	Pg16	13	26	21	14	17.5	22.5	10
TNC-P092B	TNC-P0912B	Pg9	13	26	25	17	10.6	15.2	12
TNC-P11B	TNC-P11G	Pg11	13	26	25	17	13.7	18.6	12
TNC-P132B	TNC-P132G	Pg13.5	13	26	25	17	15.0	20.4	12
TNC-P162B	TNC-P162G	Pg16	13	26	25	17	17.5	22.5	12
TNC-P136B	TNC-P136G	Pg13.5	13	28	30	22	15.0	20.4	16
TNC-P16B	TNC-P16G	Pg16	13	28	30	22	17.5	22.5	16
TNC-P163B	TNC-P163G	Pg16	13	32	41	30	17.5	22.5	22
TNC-P21B	TNC-P21G	Pg21	15	32	41	30	21.7	28.3	22
TNC-P29B	TNC-P29G	Pg29	15	38	47	36	30.5	37.0	28
TNC-P36B	TNC-P36G	Pg36	19	45	56	44	40.1	47.0	36
TNC-P48B	TNC-P48G	Pg48	19	51	68	56	51.8	59.3	48



TNC

TNC Type



- Material: High Quality Polyamide6
- Protective: IP 67 (EN 60529)
- Temperature Range: -40°C to +105°C
- Short Term: up to +150°C
- Self-Extinguishing: UL94-HB, UL94-Vo
Free of Halogen Phosphorous and cadmium
- Color: Black & Gray
- Application: Machine tool, Shipbuilding, Tramway
Industrial/ Automatic Machinery
Printing Machine etc.
Joint box with connector

Certification:

- 재 질: 고품질 폴리아미드6
- 방 수 등 급: IP 67 (EN 60529)
- 적용 온도 범위: -40°C + 105°C
- 순간 최대 온도: +150°C
- 자기 소화 성: UL94-HB, UL94-Vo
Free of Halogen Phosphorous and cadmium
- 색 상: 검정색, 회색
- 적 용: 공작기계, 산업 기계, 자동화기계
조선소, 전동차 등 컨트롤박스에
결합하기 위한 장소에 사용됨.

국 제 인 증:

▶ NPT Thread (ANSI/ASME-B1201)

품 번(Order No.)		나사규격 (Thread) NPT	치수(Dimensions in mm)						적용전선관 (for tube size)
Black	Gray		L1	L2	D	D1	S1	S	
TNC-N10B	TNC-N10G	NPT1/2"	13	26	21	14	15.2	21.2	10
TNC-N12B	TNC-N12G	NPT1/2"	13	26	25	17	15.2	21.2	12
TNC-N16B	TNC-N16G	NPT1/2"	13	28	30	22	15.2	21.2	16
TNC-N22B	TNC-N22G	NPT3/4"	15	32	41	30	19.4	26.5	22
TNC-N28B	TNC-N28G	NPT1"	15	38	47	36	26.2	33.2	28