



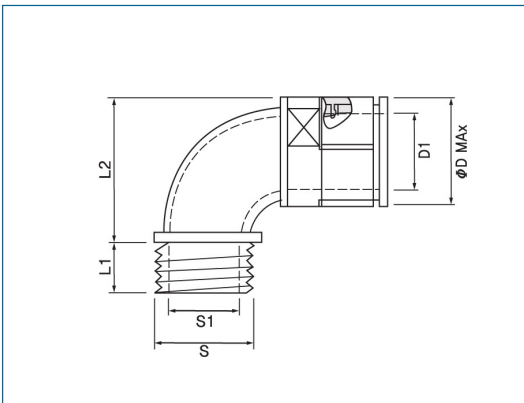
**CPSFIX<sup>®</sup> IP67**

Using material of high quality

Connectors, 90° Curved Elbow with PF male thread (JIS B0204)

**TWC**

**TWC Type**



- Material: High Quality Polyamide6
- Protective: IP 67 (EN 60529)
- Temperature Range: -40°C to +105°C
- Short Term: up to +150°C
- Self-Extinguishing: UL94-HB, UL94-Vo  
Free of Halogen Phosphorous and cadmium
- Color: Black & Gray
- Application: Machine tool, Shipbuilding, Tramway  
Industrial/ Automatic Machinery  
Printing Machine etc.  
Joint box with connector

➤ Certification:

- 재 질: 고품질 폴리아미드6
- 방 수 등 급: IP 67 (EN 60529)
- 적용온도범위: -40°C + 105°C
- 순간최대온도: +150°C
- 자기소화성: UL94-HB, UL94-Vo  
Free of Halogen Phosphorous and cadmium

- 색 상: 검정색, 회색
- 적 용: 공작기계, 산업기계, 자동화기계  
조선소, 전동차 등 컨트롤박스에  
결합하기 위한 장소에 사용됨.

➤ 국제인증:

➤ PF Thread (JIS B0204)

품 번 (Order No.)		나사규격 (Thread) PF	치수 (Dimensions in mm)						적용전선관 (for tube size)
Black	Gray		L <sub>1</sub>	L <sub>2</sub>	D	D <sub>1</sub>	S <sub>1</sub>	S	
TWC-G10B	TWC-G10G	G1/2"	13	28	21	14	15.2	20.9	10
TWC-G12B	TWC-G12G	G1/2"	13	36	25	17	15.2	20.9	12
TWC-G16B	TWC-G16G	G1/2"	13	41	30	22	15.2	20.9	16
TWC-G22B	TWC-G22G	G3/4"	15	50	41	30	19.4	26.4	22
TWC-G28B	TWC-G28G	G1"	15	60	47	36	26.2	33.2	28
TWC-G368B	TWC-G368G	G1 1/4"	15	60	47	36	34.5	41.9	28
TWC-G36B	TWC-G36G	G1 1/4"	19	76	56	44	34.5	41.9	36
TWC-G42B	TWC-G42G	G1 1/2"	19	91	68	56	40.8	47.8	48
TWC-G48B	TWC-G48G	G2"	19	91	68	56	49.8	59.6	48



Using material of high quality

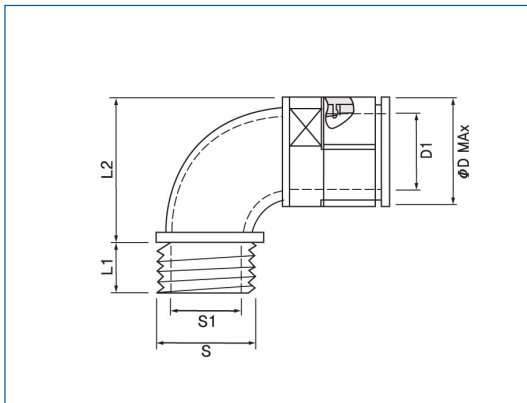
IP67 CPSFIX®



Connectors, 90° Curved Elbow with Metric male thread (EN 60423)

TWC

TWC Type



- Material: High Quality Polyamide6
- Protective: IP 67 (EN 60529)
- Temperature Range: -40°C to + 105°C
- Short Term: up to +150°C
- Self-Extinguishing: UL94-HB, UL94-Vo  
Free of Halogen Phosphorous and cadmium
- Color: Black & Gray
- Application: Machine tool, Shipbuilding, Tramway  
Industrial/ Automatic Machinery  
Printing Machine etc.  
Joint box with connector

➤ Certification:

- 재 질: 고품질 폴리아미드6
- 방 수 등 급: IP 67 (EN 60529)
- 적용온도범위: -40°C + 105°C
- 순간최대온도: +150°C
- 자기소화성: UL94-HB, UL94-Vo  
Free of Halogen Phosphorous and cadmium

- 색 상: 검정색, 회색
- 적 용: 공작기계, 산업 기계, 자동화기계  
조선소, 전동차 등 컨트롤박스에  
결합하기 위한 장소에 사용됨.

➤ 국제인증:

➤ M Thread (EN 60423)

품 번(Order No.)		나사규격 (Thread) Metric	치수(Dimensions in mm)						적용전선관 (for tube size)
Black	Gray		L1	L2	D	D1	S1	S	
TWC-M107B	TWC-M107G	M12 × 1.5	11	20	15.3	10.5	8.7	12.0	7
TWC-M10B	TWC-M10G	M12 × 1.5	13	28	21	14	8.7	12.0	10
TWC-M12B	TWC-M12G	M16 × 1.5	13	36	25	17	12.6	16.0	12
TWC-M16B	TWC-M16G	M20 × 1.5	13	41	30	22	15.2	20.0	16
TWC-M22B	TWC-M22G	M25 × 1.5	15	50	41	30	19.4	25.0	22
TWC-M28B	TWC-M28G	M32 × 1.5	15	60	47	36	26.2	32.0	28
TWC-M36B	TWC-M36G	M40 × 1.5	19	76	56	44	34.5	40.0	36
TWC-M48B	TWC-M48G	M50 × 1.5	19	91	68	56	44.0	50.0	48





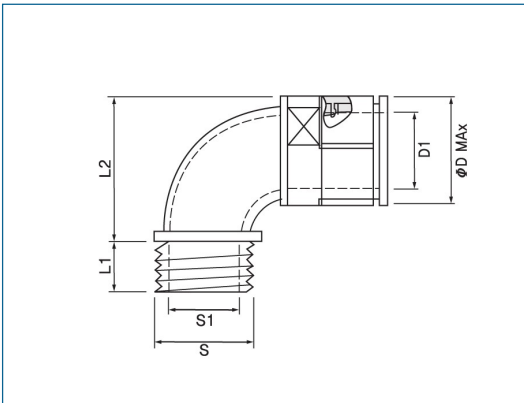
**CPSFIX<sup>®</sup> IP67**

Using material of high quality

Connectors, 90° Curved Elbow with Pg male thread (DIN 40430)

**TWC**

**TWC Type**



- ▶ **Material:** High Quality Polyamide6
- ▶ **Protective:** IP 67 (EN 60529)
- ▶ **Temperature Range:** -40°C to + 105°C
- ▶ **Short Term:** up to +150°C
- ▶ **Self-Extinguishing:** UL94-HB, UL94-Vo  
Free of Halogen Phosphorous and cadmium
- ▶ **Color:** Black & Gray
- ▶ **Application:** Machine tool, Shipbuilding, Tramway Industrial/ Automatic Machinery Printing Machine etc.

Joint box with connector

- ▶ **Certification:**

- ▶ **재 질:** 고품질 폴리아미드6
- ▶ **방수 등급:** IP 67 (EN 60529)
- ▶ **적용 온도 범위:** -40°C + 105°C
- ▶ **순간 최대 온도:** +150°C
- ▶ **자기 소화성:** UL94-HB, UL94-Vo  
Free of Halogen Phosphorous and cadmium
- ▶ **색 상:** 검정색, 회색
- ▶ **적 용:** 공작기계, 산업 기계, 자동 화기계 조선소, 전동차 등 컨트롤박스에 결합하기 위한 장소에 사용됨.

- ▶ **국제 인증:**

▶ **Pg Thread (DIN40430)**

품 번(Order No.)		나사규격 (Thread) Pg	치수(Dimensions in mm)						적용전선관 (for tube size)
Black	Gray		L1	L2	D	D1	S1	S	
TWC-P077B	TWC-P077G	Pg7	11	20	15.3	10.5	9.5	12.5	7
TWC-P097B	TWC-P097G	Pg9	11	20	15.3	10.5	10.6	15.2	7
TWC-P09B	TWC-P09G	Pg9	13	28	21	14	10.6	15.2	10
TWC-P110B	TWC-P110G	Pg11	13	28	21	14	13.7	18.6	10
TWC-P130B	TWC-P130G	Pg13.5	13	28	21	14	15.0	20.4	10
TWC-P11B	TWC-P11G	Pg11	13	36	25	17	13.7	18.6	12
TWC-P132B	TWC-P132G	Pg13.5	13	36	25	17	15.0	20.4	12
TWC-P162B	TWC-P162G	Pg16	13	36	25	17	17.5	22.5	12
TWC-P136B	TWC-P136G	Pg13.5	13	41	30	22	15.0	20.4	16
TWC-P16B	TWC-P16G	Pg16	13	41	30	22	17.5	22.5	16
TWC-P163B	TWC-P163G	Pg16	15	50	41	30	17.5	22.5	22
TWC-P21B	TWC-P21G	Pg21	15	50	41	30	21.7	28.3	22
TWC-P29B	TWC-P29G	Pg29	15	60	47	36	30.5	37.0	28
TWC-P36B	TWC-P36G	Pg36	19	76	56	44	40.1	47.0	36
TWC-P48B	TWC-P48G	Pg48	19	91	68	56	51.8	59.3	48

Using material of high quality

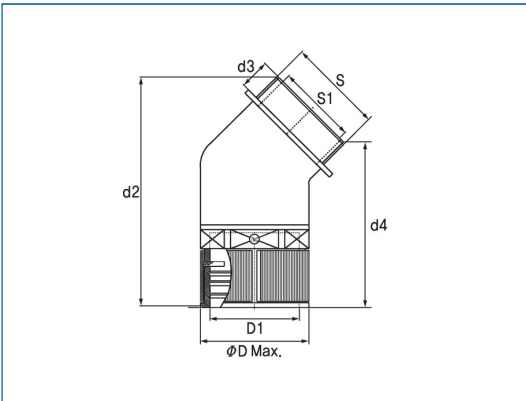
**IP67 CPSFIX®**

Connectors, 45° Curved Elbow with PF male thread (JIS B0204)



**TAC**

**TAC Type**



- Material: High Quality Polyamide6
- Protective: IP 67 (EN 60529)
- Temperature Range: -40°C to + 105°C
- Short Term: up to +150°C
- Self-Extinguishing: UL94-HB, UL94-Vo  
Free of Halogen Phosphorous and cadmium
- Color: Black & Gray
- Application: Machine tool, Shipbuilding, Tramway  
Industrial/ Automatic Machinery  
Printing Machine etc.  
Joint box with connector

- Certification:
- 재 질: 고품질 폴리아미드6
- 방 수 등 급: IP 67 (EN 60529)
- 적용온도범위: -40°C + 105°C
- 순간최대온도: +150°C
- 자기소화성: UL94-HB, UL94-Vo  
Free of Halogen Phosphorous and cadmium
- 색 상: 검정색, 회색
- 적 용: 공작기계, 산업 기계, 자동 화기 계  
조선소, 전동차 등 컨트롤박스에  
결합하기 위한 장소에 사용됨.

- 국 제 인 증:

➤ PF Thread (JIS B0204)

품 번(Order No.)		나사규격 (Thread) PF	치수(Dimensions in mm)							적용전선관 (for tube size)
Black	Gray		D	D1	d2	d3	d4	S1	S	
TAC-G10B	TAC-G10G	G1/2"	21	14	60	13	50	15.2	20.9	10
TAC-G12B	TAC-G12G	G1/2"	25	17	66	13	52	15.2	20.9	12
TAC-G16B	TAC-G16G	G1/2"	30	22	70	13	55	15.2	20.9	16
TAC-G22B	TAC-G22G	G3/4"	41	30	80	15	65	19.4	26.4	22
TAC-G28B	TAC-G28G	G1"	47	36	90	15	72	26.2	33.2	28
TAC-G36B	TAC-G36G	G1 1/4"	56	44	102	17	76	34.5	41.9	36
TAC-G48B	TAC-G48G	G2"	68	56	123	17	86	49.8	59.6	48

