

Using material of high quality

**IP67 CPSFIX®**



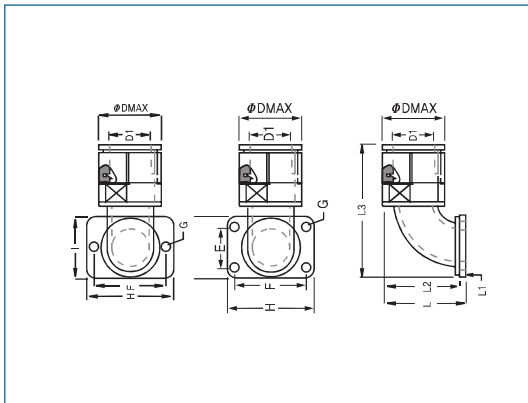
Connectors, 90° Curved Elbow with flange (DIN40424)

# TWOC

## TWOC Type



- Material: High Quality Polyamide6
- Protective: IP 67 (EN 60529)
- Temperature Range: -40°C to + 105°C
- Short Term: up to +150°C
- Self-Extinguishing: UL94-HB, UL94-Vo  
Free of Halogen Phosphorous and cadmium
- Color: Black & Gray
- Application: Machine tool, Shipbuilding, Tramway  
Industrial/ Automatic Machinery  
Printing Machine etc.  
Control Box with connector



- 재 질: 고품질 폴리아미드6
- 방수 등급: IP 67 (EN 60529)
- 적용온도범위: -40°C + 105°C
- 순간최대온도: +150°C
- 자기소화성: UL94-HB, UL94-Vo  
Free of Halogen Phosphorous and cadmium
- 색 상: 검정색, 회색
- 적 용: 공작기계, 산업기계, 자동화기계  
조선소, 전동차 등 컨트롤판넬 외부에  
부착하기 위해 사용되는 커넥터.

품 번(Order No.)		치수(Dimensions in mm)											적용전선관 (for tube size)
Black	Gray	L1	L2	L3	L	H	G	E	F	I	D	D1	
TWOC-12B	TWOC-12G	5	35	62	40	45	5.5	-	36.5	32	25	17	12
TWOC-16B	TWOC-16G	5	39	65	44	45	5.5	-	36.5	32	30	22	16
TWOC-22B	TWOC-22G	6	46	85	52	66.5	5.5	30.5	53.5	45	41	30	22
TWOC-28B	TWOC-28G	6	56	97	62	66.5	6	30.5	53.5	45	47	36	28
TWOC-36B	TWOC-36G	6	76	125	82	85.5	7	30.5	72.5	64	56	44	36
TWOC-48B	TWOC-48G	6	88	147	94	85.5	7	30.5	72.5	78	68	56	48