

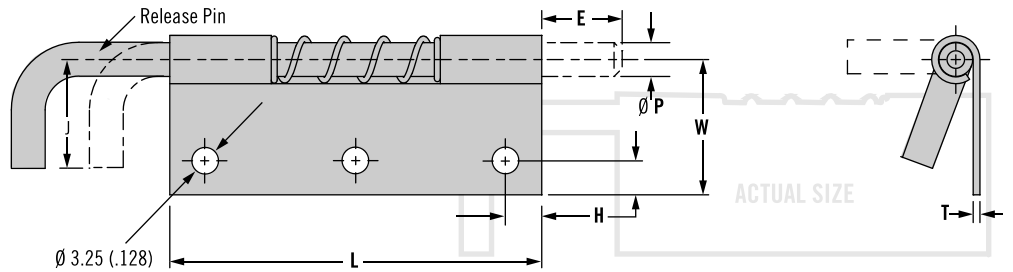


F6 Hinge

Door removal

Material and Finish

Steel, zinc plated or stainless steel



S Size	L	E	H	J	P	T	W
3 - 4	22.2 (.88)	4 (.16)	4.0 (.16)	10 (.39)	3.0 (.12)	0.8 (.03)	13 (.50)
7 - 8	34.9 (1.38)	6.4 (.25)	4.8 (.19)	13 (.50)	4.0 (.15)	1.0 (.04)	19 (.75)
11 - 12	50.8 (2.00)	9.5 (.38)	6.4 (.25)	16 (.63)	4.5 (.18)	1.3 (.05)	22 (.87)
15 - 16	69.9 (2.75)	12.7 (.50)	6.4 (.25)	19 (.75)	6.4 (.25)	1.5 (.06)	25.5 (1.00)

Part Number Selection

M Material and Finish
N Steel, zinc plated
S Stainless steel

S Size
3 22 (0.87) Left Hand
4 22 (0.87) Right Hand
7 35 (1.38) Left Hand
8 35 (1.38) Right Hand
11 51 (2.00) Left Hand
12 51 (2.00) Right Hand
15 70 (2.75) Left Hand
16 70 (2.75) Right Hand

F6 - 23 - M S AW

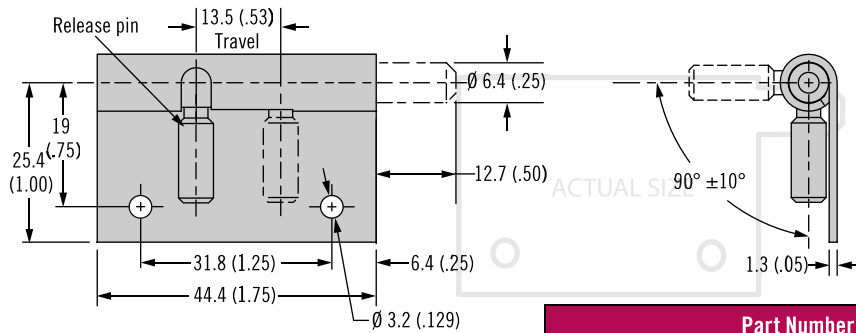


Material and Finish

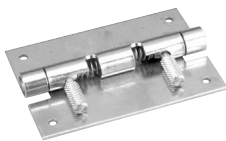
Steel, zinc plated or stainless steel

Part Number

See table



Part Number		
Handling	Steel	Stainless Steel
Right (shown)	F6-20-N1A50WR	F6-20-S1A50WR
Left	F6-20-N1A50WL	F6-20-S1A50WL



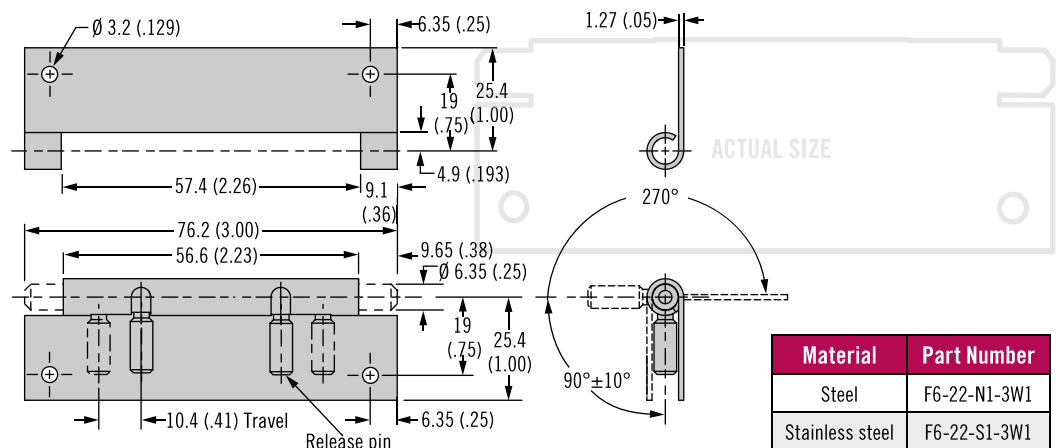
Locking feature for simple removal

Material and Finish

Steel, zinc plated or stainless steel

Part Number

See table



Material	Part Number
Steel	F6-22-N1-3W1
Stainless steel	F6-22-S1-3W1



www.southco.com/F6

Dimensions in millimeters (inch) unless otherwise stated